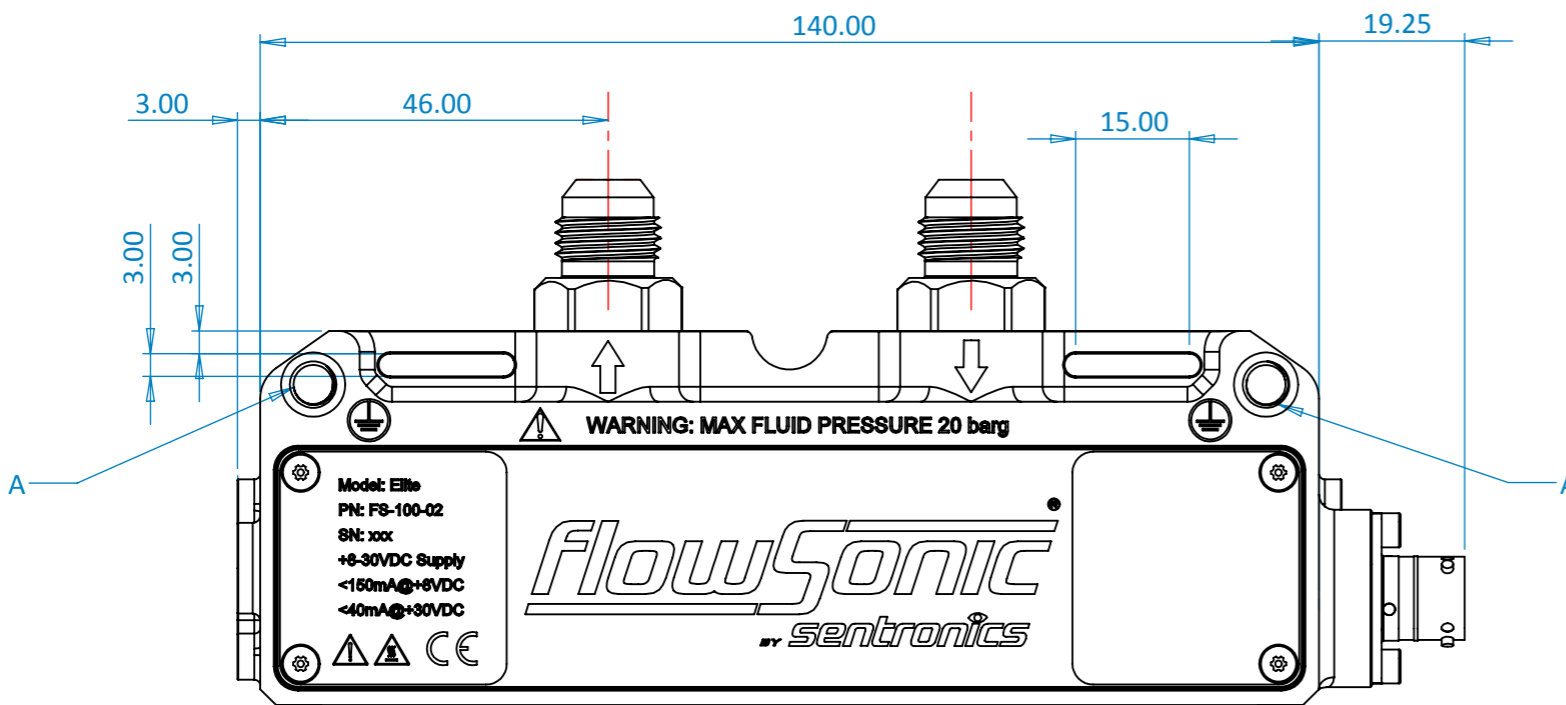
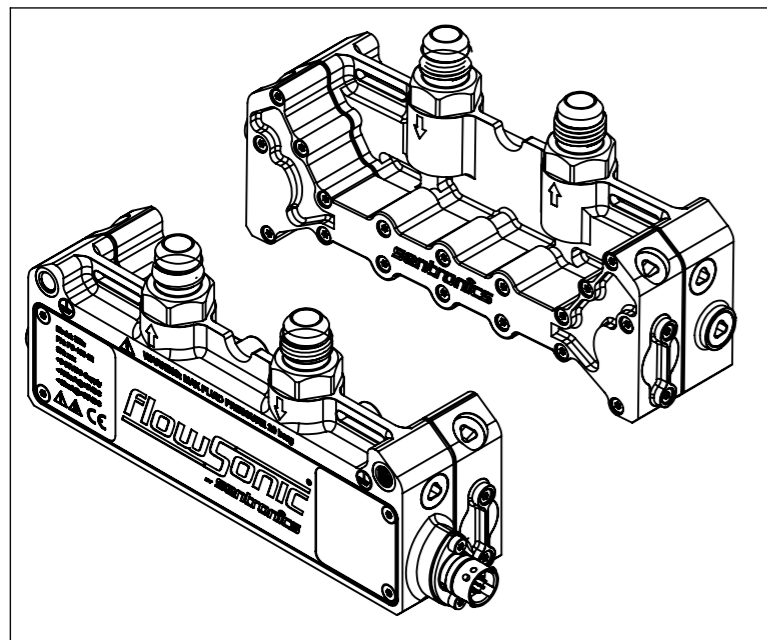
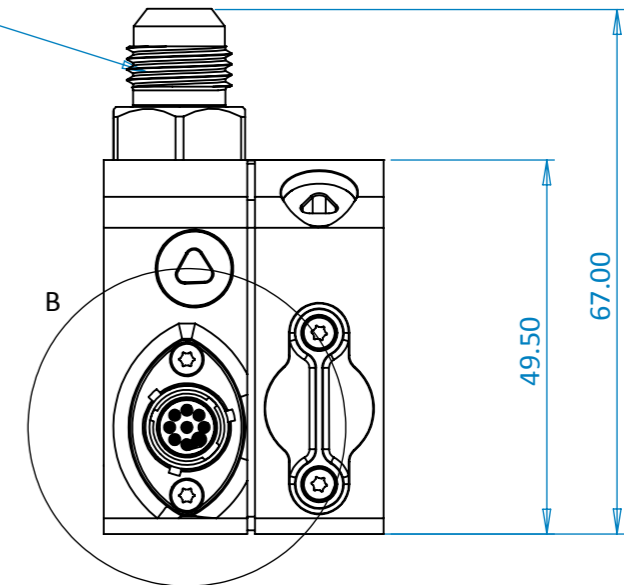


DETAIL B
SCALE 2 : 1



-6AN
(9/16" UNF)



ASDD006-09-PD-FI-952K	
PIN 1	V+ SUPPLY
PIN 2	CAN H1
PIN 3	CAN L1
PIN 4	CAN H2
PIN 5	CAN L2
PIN 6	COMMS A
PIN 7	COMMS B
PIN 8	CAN SELECT*
PIN 9	GnD

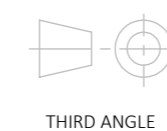
MATING HALF CONNECTOR ASDD606-09-SD-FI-952K

A - M6 x 1.00 THREAD x 12.00mm DEEP FOR ATTACHMENT OF MOUNTING BRACKET OR RIGID FIXING TO APPLICATION.

* LOOM DETECT RESISTOR
 REFER TO DATASHEET MS-DS-02 FOR FULL SPECIFICATION

REVISION	ISSUE	DESCRIPTION	DATE	APPROVED
01	FIRST RELEASE		20.08.15	NJM
02	UPDATED HARDWARE		21.09.17	NJM

NAME	SIGNATURE	DATE
DRAWN: NJM		20.05.16
CHK'D		
APPV'D		
MFG		
Q.A		



TITLE:	FLOWSONIC SENSOR - ELITE	
DWG NO.	FS-100-02	A3



WEIGHT: 321g

SCALE: 1:1

SHEET 1 OF 1