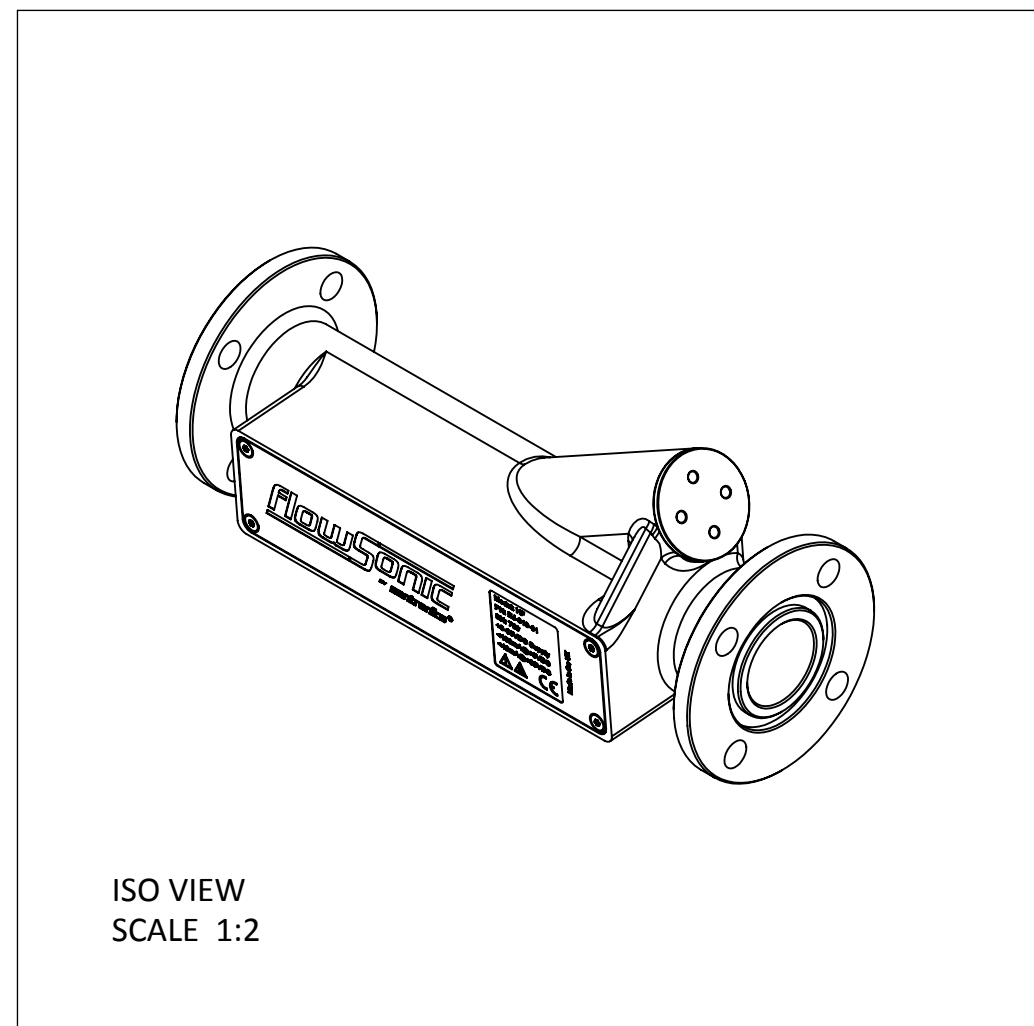


2M801-010-02-M-7-10PA	
PIN 1	V+ SUPPLY
PIN 2	CAN HIGH
PIN 3	CAN LOW
PIN 4	TTL PULSE OUTPUT
PIN 5	ANALOG OUTPUT
PIN 6	COMMS A
PIN 7	COMMS B
PIN 8	CAN SELECT
PIN 9	GROUND
PIN 10	NO CONNECT
MATING HALF CONNECTOR 2M801-007-26-M-7-10SA	



UNLESS OTHERWISE SPECIFIED: DIMENSIONS ARE IN MILLIMETERS SURFACE FINISH: TOLERANCES: LINEAR: ±0.05 ANGULAR: ±0.05		FINISH: ANODISED TO DEF STAN 0035	DEBUR AND BREAK SHARP EDGES	REVISION ISSUE 01	DESCRIPTION FIRST RELEASE	DATE 19.5.17	APPROVED NJM
DRAWN CHK'D APP'V'D MFG Q.A.	NAME NJM	SIGNATURE	DATE 19.5.17	TITLE: FLOWSONIC SENSOR - HF LOW-FLOW			
© DESIGN COPYRIGHT RESERVED senbtronics Ltd Unit 40, Enterprise Systems Centre Walsley S61 2NF Tel: +44(0)1203 511000 Fax: +44(0)1203 511009 Email: info@senbtronics.com Website: www.senbtronics.com		MATERIAL: AL 6082 T6	THIRD ANGLE	DWG NO. EJ-010-01	A2		
WEIGHT:		SCALE: 1:1		SHEET 1 OF 1			