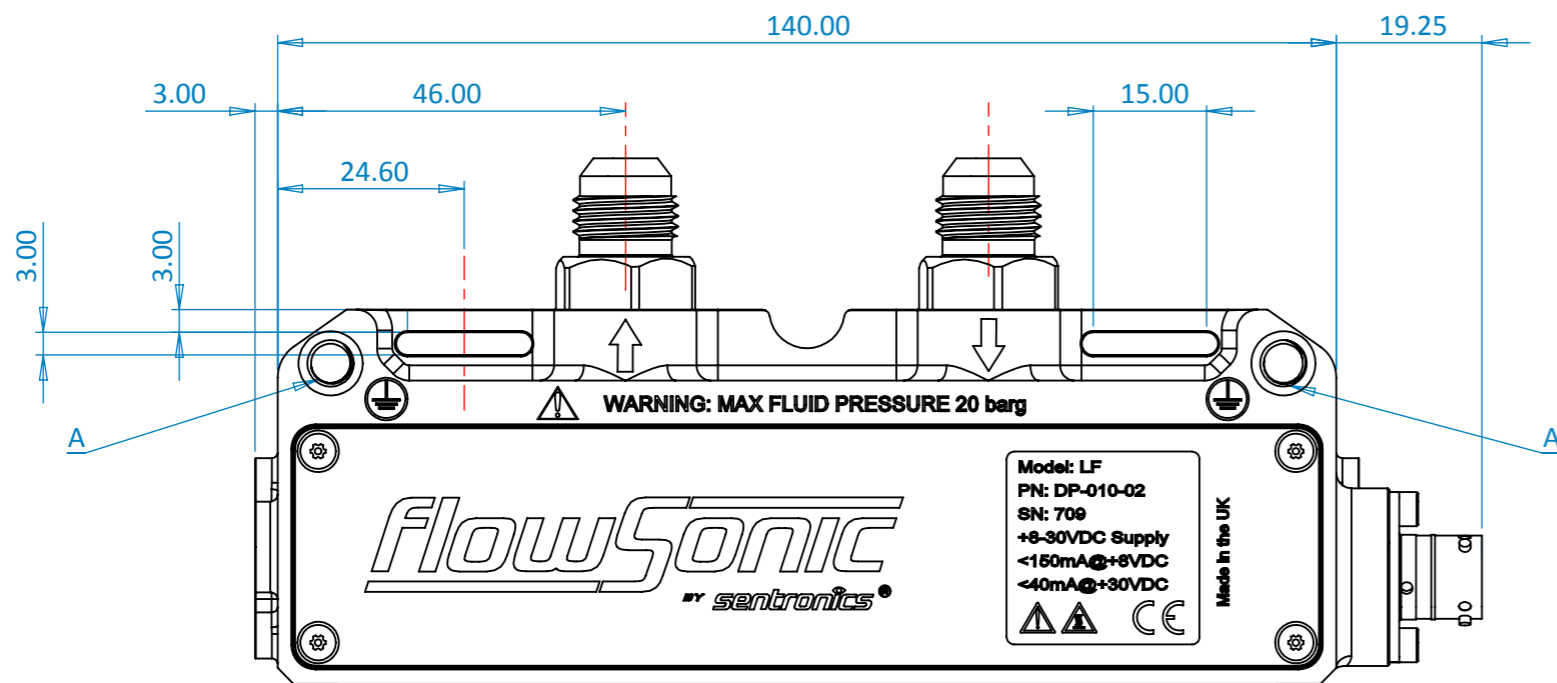
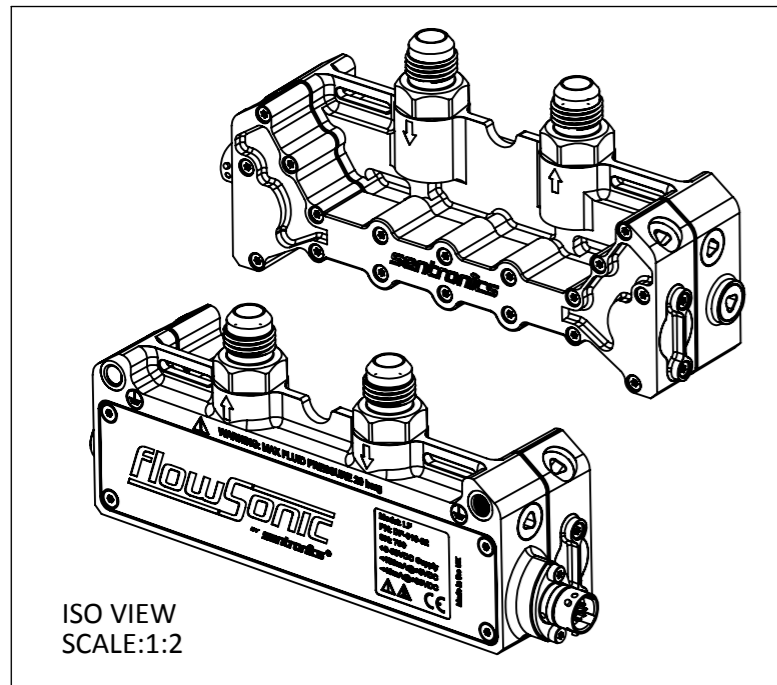
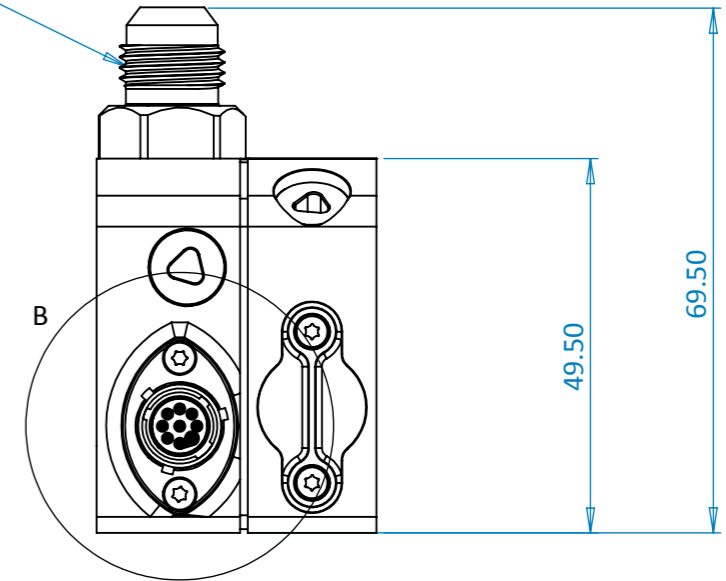


DETAIL B
SCALE 2 : 1



-6AN
(9/16" UNF)



ISO VIEW
SCALE:1:2

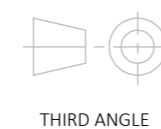
ASDD006-09-PC-HE	
PIN 1	V+ SUPPLY
PIN 2	CAN H1
PIN 3	CAN L1
PIN 4	TTL PULSE OUTPUT
PIN 5	ANALOG OUTPUT
PIN 6	COMMS A
PIN 7	COMMS B
PIN 8	CAN SELECT*
PIN 9	GnD
MATING HALF CONNECTOR ASDD606-09-SC-HE	

A - M6 x 1.00 THREAD x 12.00mm DEEP FOR ATTACHMENT OF MOUNTING BRACKET OR RIGID FIXING TO APPLICATION.

* LOOM DETECT RESISTOR
REFER TO DATASHEET FOR FULL SPECIFICATION

UNLESS OTHERWISE SPECIFIED: DIMENSIONS ARE IN MILLIMETERS SURFACE FINISH: TOLERANCES: LINEAR: ±0.05 ANGULAR:	FINISH:	ANODISE TO DEF STAN 00-35 COLOUR: BLACK / GREY	DEBUR AND BREAK SHARP EDGES	REVISION	ISSUE	DESCRIPTION	DATE	APPROVED
				01	FIRST RELEASE	20.06.16	NJM	
				02	HOUSING UPDATE	20.8.17	NJM	

	NAME	SIGNATURE	DATE
DRAWN	NJM		20.06.16
CHK'D			
APP'VD			
MFG			
Q.A			



THIRD ANGLE

TITLE:		FLOWSONIC SENSOR - LF LOW-FLOW	
DWG NO.		DP-010-02	
SCALE:		1:1	
SHEET		1 OF 1	



WEIGHT: 321g

A3