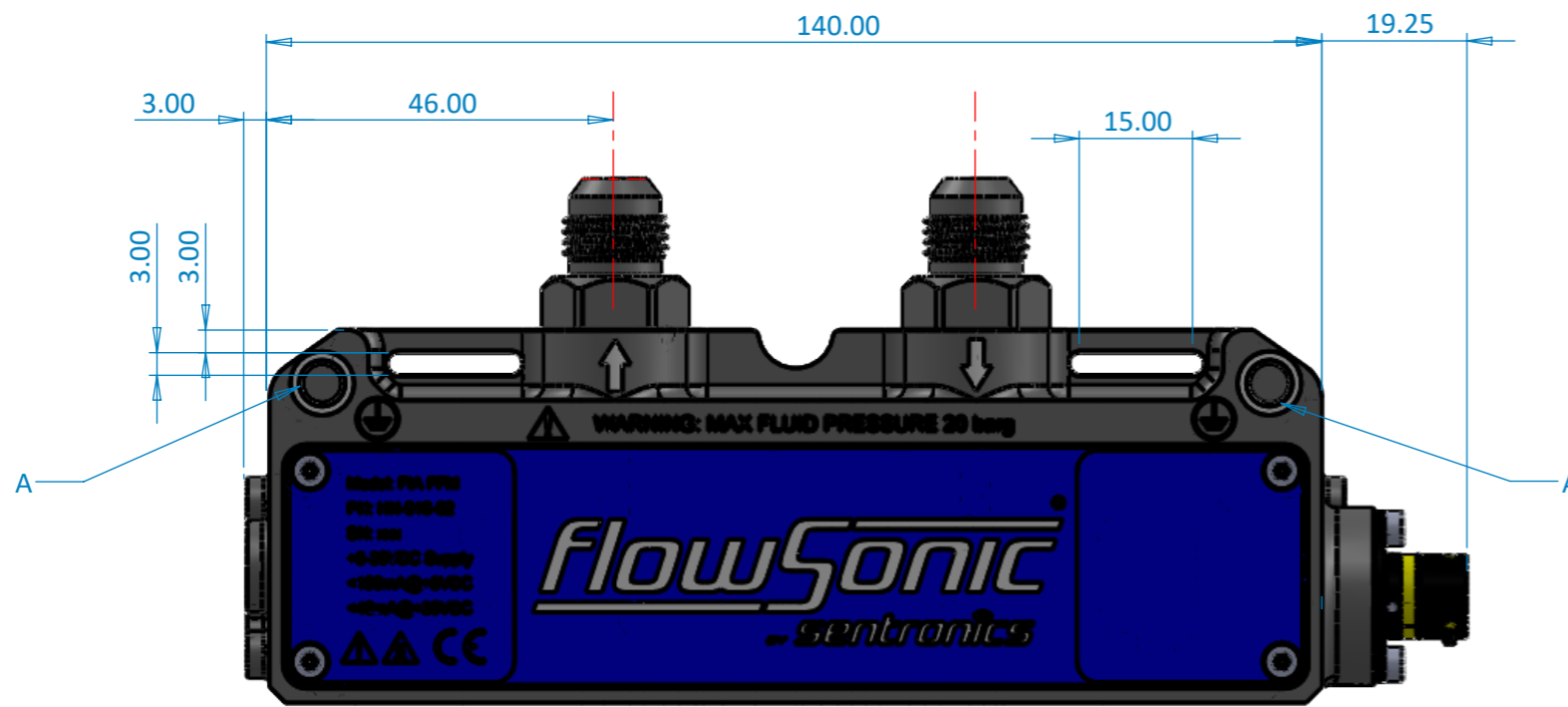
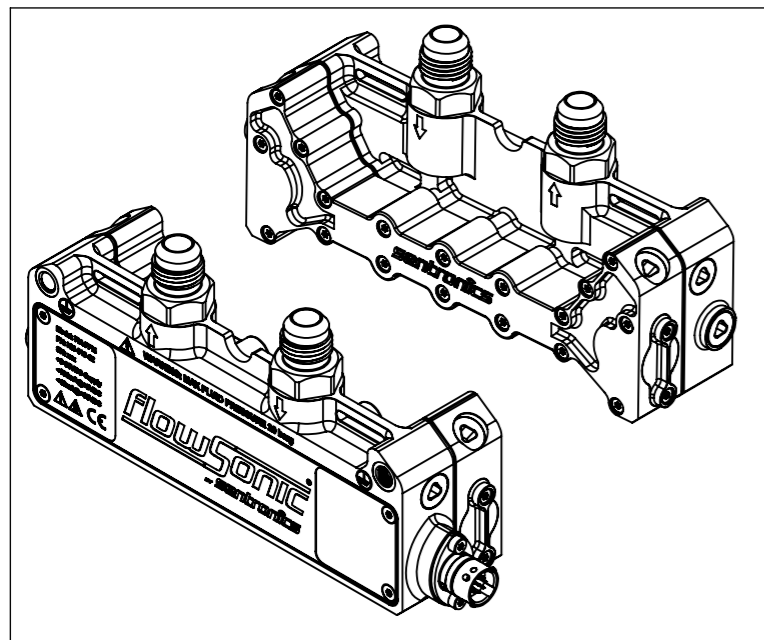
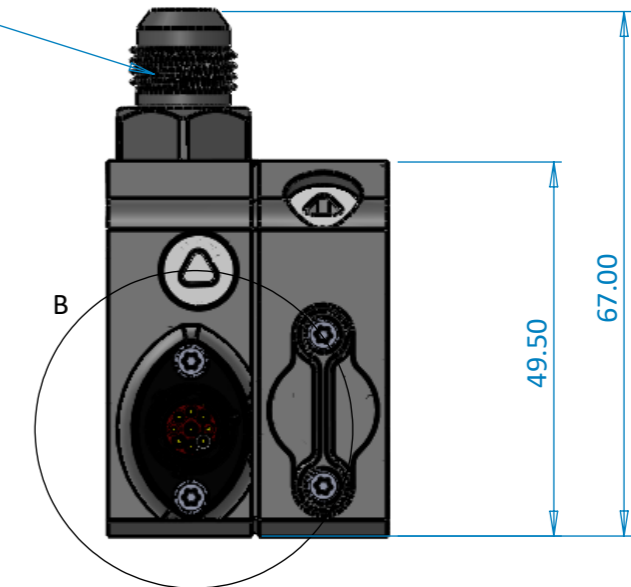


DETAIL B
SCALE 2 : 1



-6AN
(9/16" UNF)



ASDD006-09-PA-FI-952K	
PIN 1	V+ SUPPLY
PIN 2	CAN HI
PIN 3	CAN LOW
PIN 4	N/C
PIN 5	N/C
PIN 6	COMMS A
PIN 7	COMMS B
PIN 8	CAN SELECT*
PIN 9	GnD
MATING HALF CONNECTOR ASDD606-09-SA-FI-952K	

A - M6 x 1.00 THREAD x 12.00mm DEEP FOR ATTACHMENT OF MOUNTING BRACKET OR RIGID FIXING TO APPLICATION.

* LOOM DETECT RESISTOR

UNLESS OTHERWISE SPECIFIED: DIMENSIONS ARE IN MILLIMETERS SURFACE FINISH: TOLERANCES: LINEAR: ±0.05 ANGULAR:		FINISH: ANODISE TO DEF STAN 00-35 COLOUR: BLACK / BLUE	DEBUR AND BREAK SHARP EDGES	REVISION	ISSUE	DESCRIPTION	DATE	APPROVED
				01	FIRST RELEASE	25.11.19	NJM	
				02	CONNECTOR KEYWAY CHANGED	02.12.19	NJM	
DRAWN CHK'D APPV'D MFG Q.A		NAME SIGNATURE DATE	TITLE:		FLOWSONIC SENSOR - FIA FFM			
		25.11.19	THIRD ANGLE		DWG NO.		A3	
		MATERIAL: AL6082 T6		SCALE: 1:1		SHEET 1 OF 1		
WEIGHT: 321g		© DESIGN COPYRIGHT RESERVED Sentronics Ltd Unit 14 Oxendon Business Centre Salisbury, Wiltshire, SP5 3BU TEL: +44(0)1753 51200 Email: info@sentronics.com Website: www.sentronics.com						