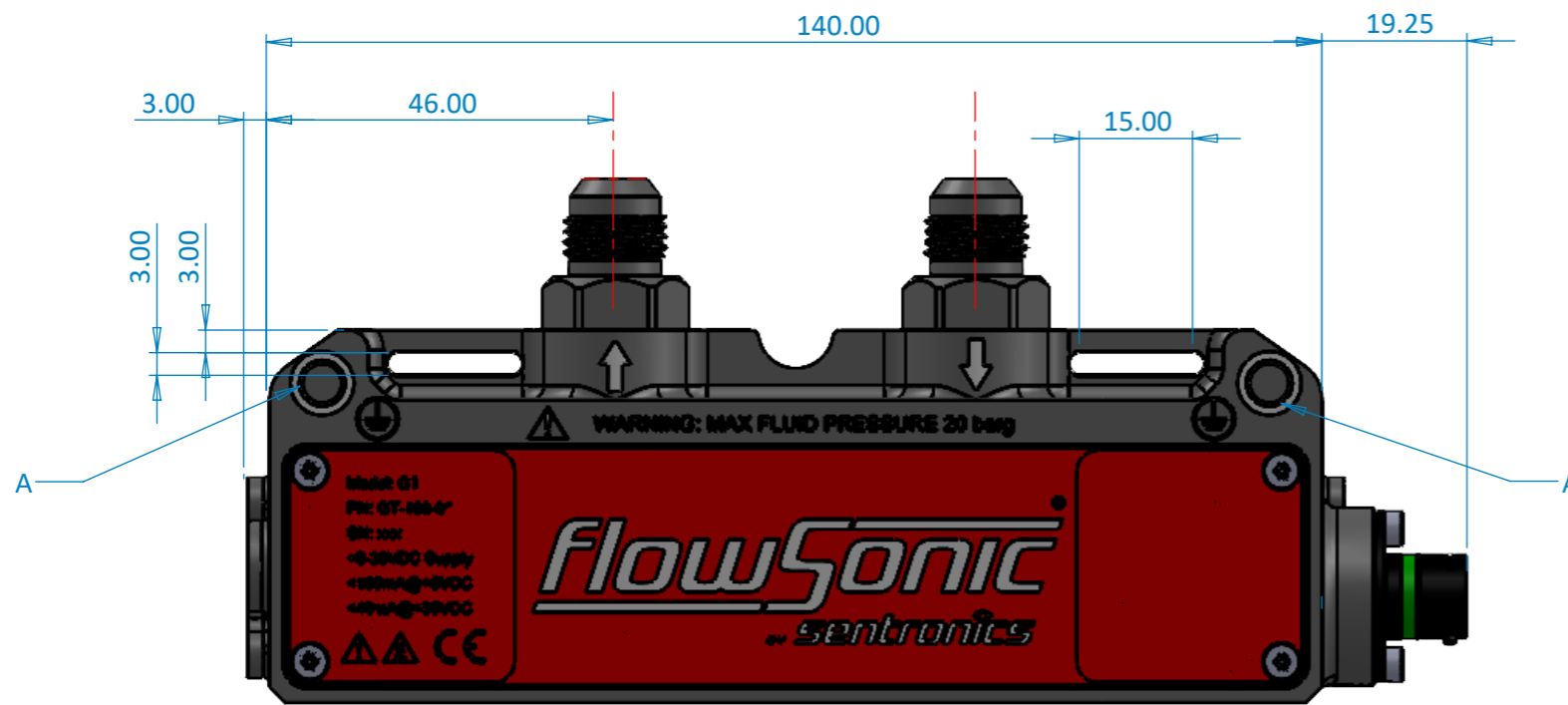
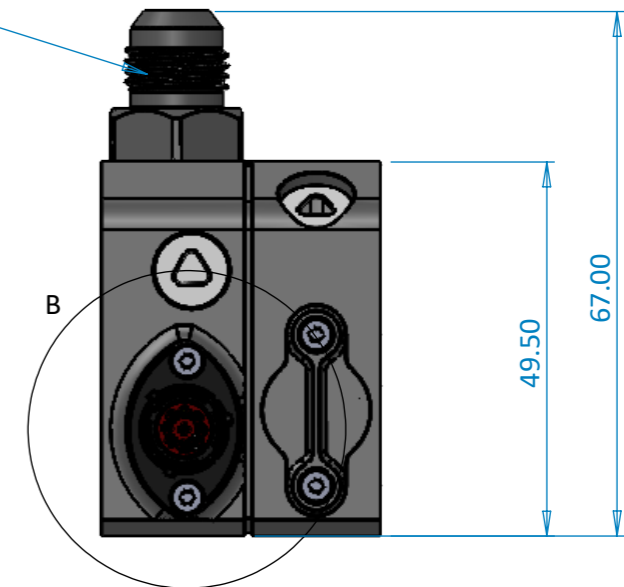


DETAIL B
SCALE 2 : 1

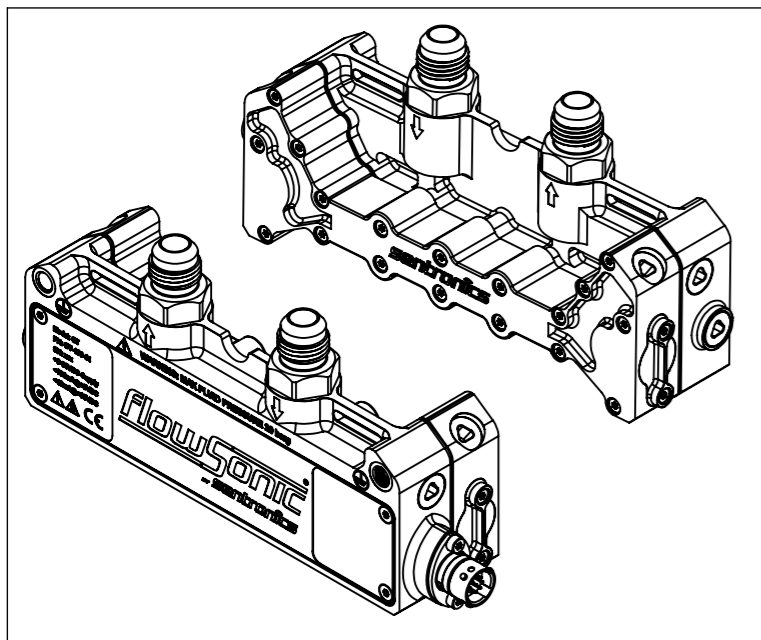
-6AN
(9/16" UNF)



| ASDD006-09-PD-FI-952K | |
|---------------------------------------------|-------------|
| PIN 1 | V+ SUPPLY |
| PIN 2 | CAN HI |
| PIN 3 | CAN LOW |
| PIN 4 | N/C |
| PIN 5 | N/C |
| PIN 6 | COMMS A |
| PIN 7 | COMMS B |
| PIN 8 | CAN SELECT* |
| PIN 9 | GnD |
| MATING HALF CONNECTOR ASDD606-09-SD-FI-952K | |

A - M6 x 1.00 THREAD x 12.00mm DEEP FOR ATTACHMENT OF MOUNTING BRACKET OR RIGID FIXING TO APPLICATION.

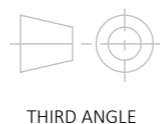
* LOOM DETECT RESISTOR



| UNLESS OTHERWISE SPECIFIED: DIMENSIONS ARE IN MILLIMETERS SURFACE FINISH: TOLERANCES: LINEAR: ±0.05 ANGULAR: | | FINISH: ANODISE TO DEF STAN 00-35 COLOUR: RED | DEBUR AND BREAK SHARP EDGES | REVISION | ISSUE | DESCRIPTION | DATE | APPROVED |
|-----------------------------------------------------------------------------------------------------------------------------|--|-----------------------------------------------------|-----------------------------------|-----------------------------------------|---------------|-------------|------|----------|
| | | | | 01 | FIRST RELEASE | 11/03/21 | NJM | |
| | | | | TITLE: FLOWSONIC SENSOR - FFM | | | | |
| | | | | DWG NO. GT-100-01 | | | | |
| | | | | SCALE: 1:1 | | | | |
| | | | | SHEET 1 OF 1 | | | | |



MATERIAL: AL6082 T6
WEIGHT: 321g



THIRD ANGLE

A3