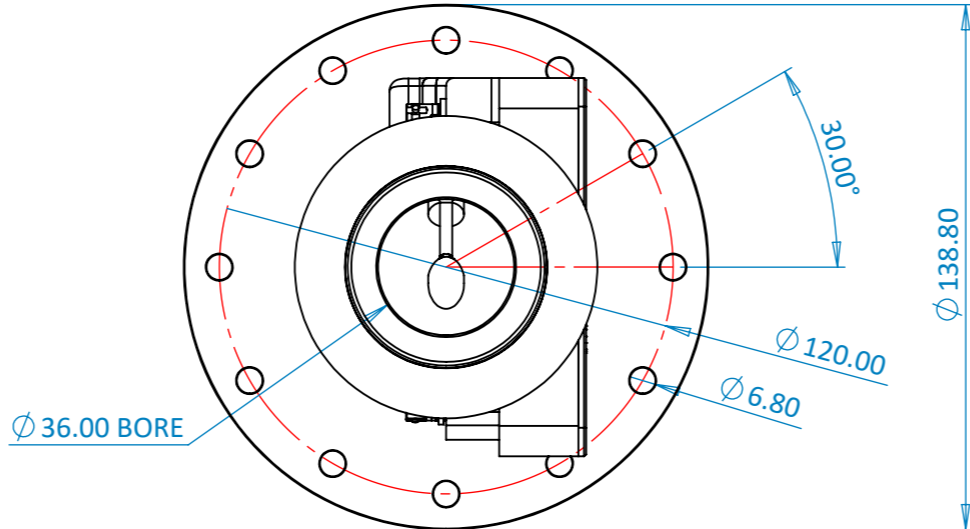
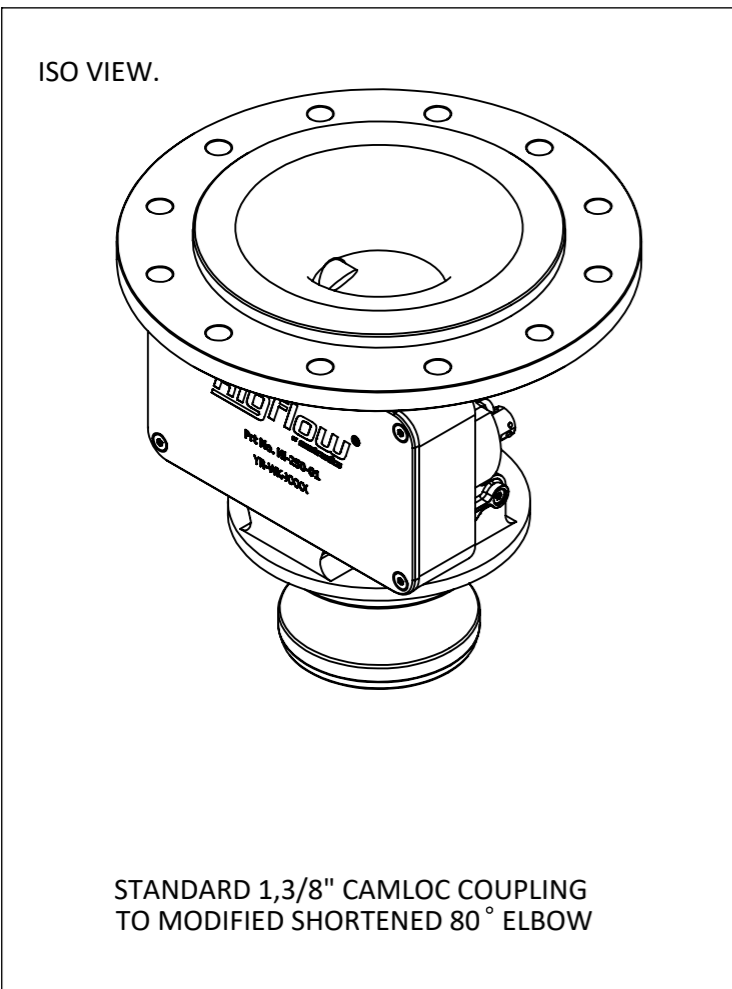


STANDARD 1,1/2" CAMLOC FITTING



CONNECTOR: SOURIAU 8STA004-06-SN	
PIN 1	V+ SUPPLY (12V)
PIN 2	GnD
PIN 3	CAN Hi
PIN 4	CAN Lo
PIN 5	COMMS Tx FROM SENSOR TO PC (FACTORY ONLY)
PIN 6	COMMS Rx FROM PC TO SENSOR (FACTORY ONLY)

UNLESS OTHERWISE SPECIFIED:
 DIMENSIONS ARE IN MILLIMETERS
 SURFACE FINISH:
 TOLERANCES:
 LINEAR: ± 0.05
 ANGULAR: ± 0.05

FINISH: **HARD ANODISE TO DEF STAN 03-25**

DEBUR AND BREAK SHARP EDGES

NAME	SIGNATURE	DATE
DRAWN: NJM		02.07.20
CHK'D		
APP'VD		
MFG		
Q.A		

REVISION ISSUE	DESCRIPTION	DATE	APPROVED
01	FIRST RELEASE	24.07.21	NJM

TITLE: **PIT TANK FLOW SENSOR ASSEMBLY**

DWG NO. **HI-250-01**

SCALE: 1:1

MATERIAL: **6082 T6**

WEIGHT:

© DESIGN COPYRIGHT RESERVED
 Reventec Ltd
 Unit 14, Devonian Business Centre
 Salisbury
 Wiltshire
 SP5 3JH
 TEL: +44(0)1753 530321
 Email: info@reventec.com
 Website: www.reventec.com

THIRD ANGLE

A3

SHEET 1 OF 1