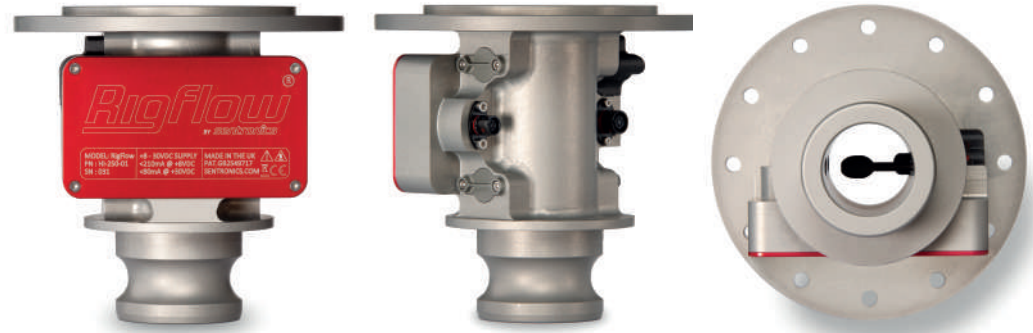
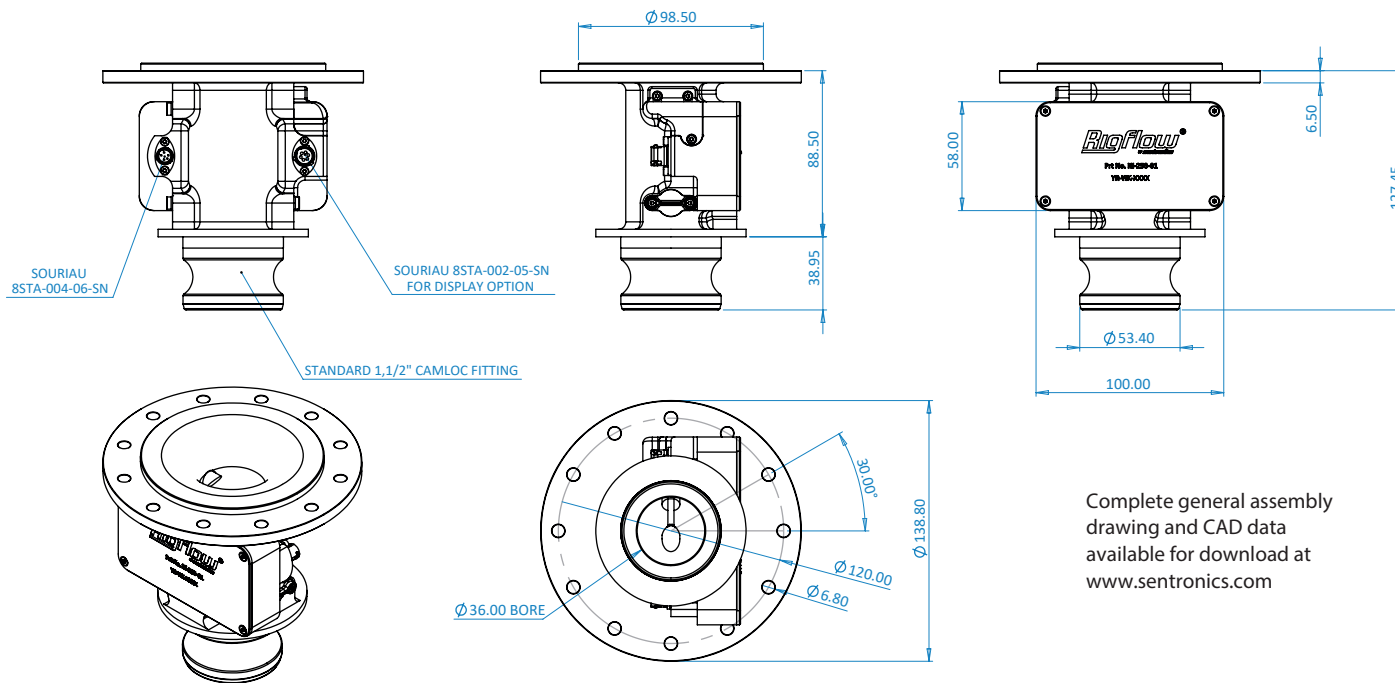


The RigFlow is specifically designed for accurately measuring dispensed fuel during a pit stop. The technology allows both teams and governing bodies to independently assess exactly how much fuel has been dispensed from the 200L FIA® pit tank.

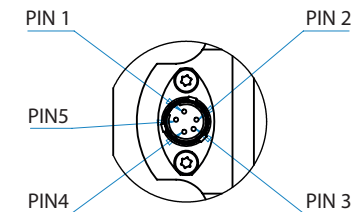
- ✔ No moving parts
- ✔ Highly accurate and repeatable
- ✔ -10°C to +50°C temperature range
- ✔ Internal processing and diagnostics
- ✔ Fast measurement rate for dynamic flows
- ✔ Compatible with wide range of fuel types
- ✔ Standard fitment for 200L FIA® Refuelling Pit Tank  
(Constructed as per Appendix J Drw N°252-7)



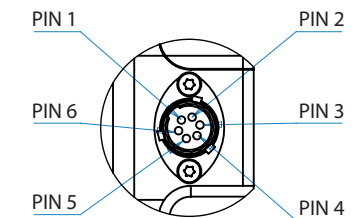
### Dimensions (mm)



### Pin Out Functions



DETAIL A  
SCALE 1:1



DETAIL B  
SCALE 1:1

## Model References

Model	Colour	Part #	Description
RigFlow	●	HI-250-01	IMSA Refuelling Pit Tank Flow Sensor

## Measurement Performance

### Flow Measurement

Measurement rate	200 Hz
Repeatability	± 0.3% of reading
Uncertainty*	± 0.75% of reading
Operating flow range	0 - 250 l/min
Calibrated measurement range	50 - 250 l/min

### Fluid Temperature Measurement

Accuracy	± 0.5°C
----------	---------

\* Calculated according to ISO/TR using root-sum square method yielding 95% confidence

## Flow Outputs and Functions

Calibrated volumetric flow rate (ml/min)	Pump petrol or diesel
Calibrated cumulative volumetric flow (ml)	WEC standard E20
Calibrated mass flow rate (g/min)	F1 petrol blends
Calibrated cumulative mass flow (g)	Neat butanol, neat methanol or neat ethanol
Max/min logging	Methanol/petrol or ethanol/petrol
Elapsed time counter (power on, ETI)	
Run-time (flow time, RTI)	
Speed of sound (m/s)	
Diagnostics via CAN	

## Fuel Compatibility

## Environmental

Storage temperature	-40°C to +85°C
Operational temperature	-10°C to +50°C

## Mechanical

Dry weight	895 g
O-ring seal elastomer	FPM fluorocarbon
Wetted materials	FPM, anodised aluminium alloy, stainless steel
Fluid operating pressure	20barG

## Electrical

Voltage	8V to 30V DC
Current	< 200mA
Voltage protection	Over-voltage 45V DC, reverse polarity -45V DC
Primary sensor connector	SOURIAU 8STA-004-06-SN
Primary mating harness connector	SOURIAU 8STA-604-06-PN
Secondary/Display connector	SOURIAU 8STA-002-05-SN
Secondary/Display mating harness connector	SOURIAU 8STA-602-05-PN

## CAN Communications

Design standard	ISO 11898-2 (high-speed applications)
Message format	2.0A (11-bit identifier)
Baud rate	500 kbit/sec
CAN termination resistor	No
Message/Channel description	Please contact us for the .dbc

## Primary Mating Harness Connector Pin-outs (Souriau 8STA-604-06-PN)

Pin 1	V+ Supply (12V)
Pin 2	GnD
Pin 3	CAN Hi
Pin 4	CAN Lo
Pin 5	Comms Tx from sensor to PC (factory only)
Pin 6	Comms Rx from PC to sensor (factory only)

## Secondary / Display Mating Harness Connector Pin-outs (Souriau 8STA-602-05-PN)

Pin 1	N/C
Pin 2	GnD
Pin 3	CAN Hi
Pin 4	CAN Lo
Pin 5	N/C