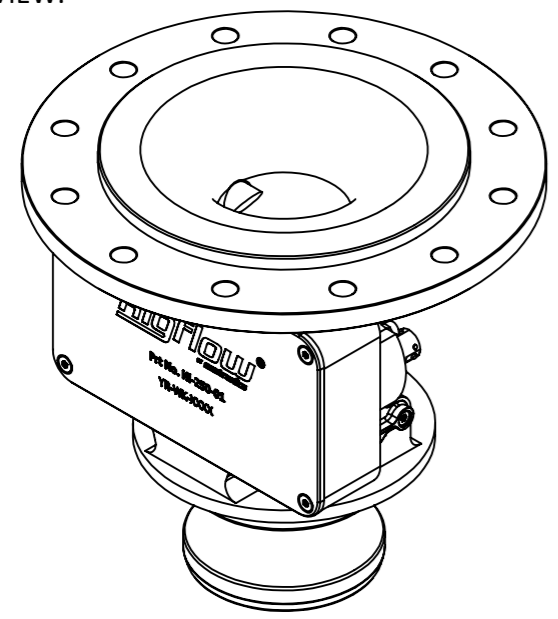


SOURIAU 8STA-002-05-SN
(TEAM / DISPLAY OPTION)

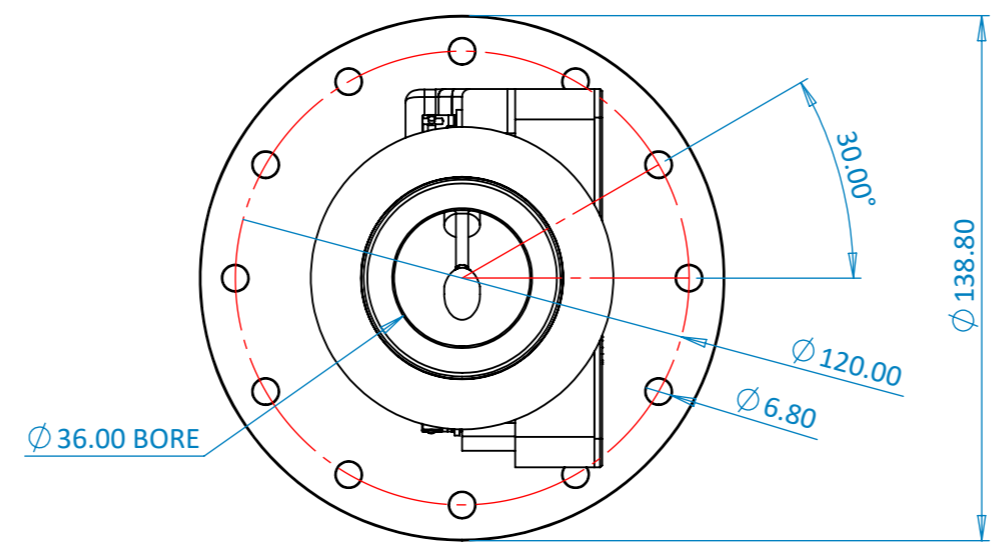
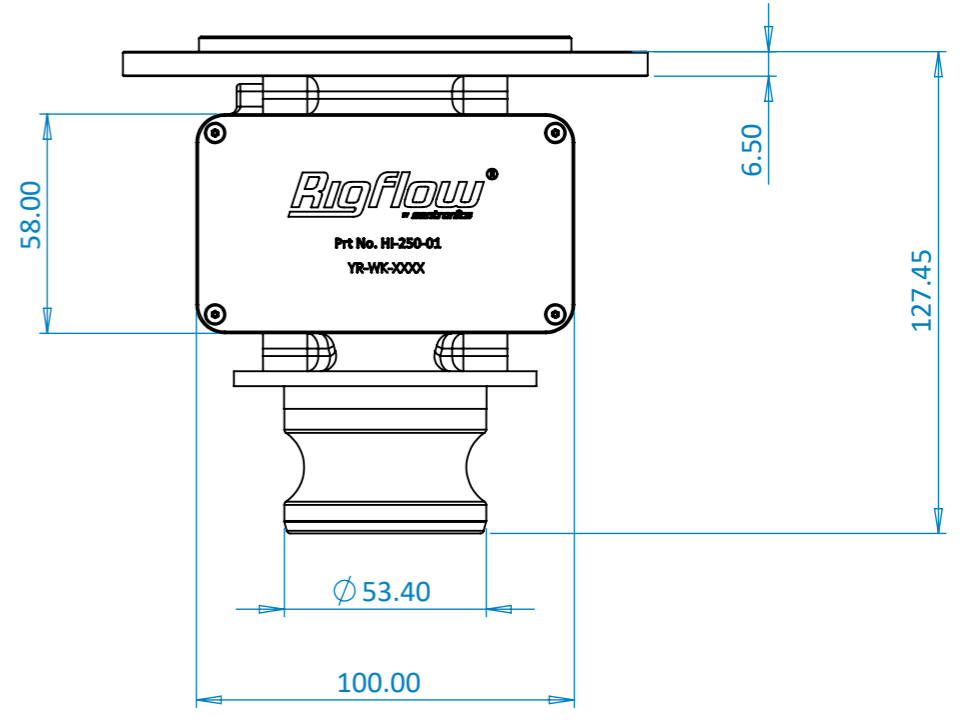
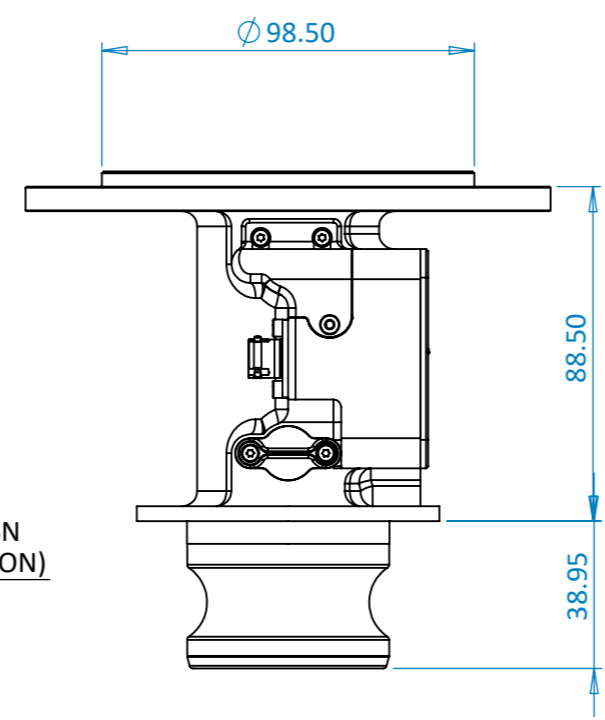
SOURIAU 8STA-004-06-SN
(IMSA CONNECTION)

STANDARD 1,1/2" CAMLOC FITTING

ISO VIEW.



STANDARD 1,1/2" CAMLOC COUPLING
TO MODIFIED SHORTENED 80° ELBOW



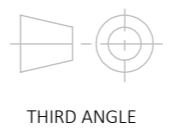
CONNECTOR: SOURIAU 8STA004-06-SN	
PIN 1	V+ SUPPLY (12V)
PIN 2	GnD
PIN 3	CAN Hi
PIN 4	CAN Lo
PIN 5	COMMS Tx FROM SENSOR TO PC (FACTORY ONLY)
PIN 6	COMMS Rx FROM PC TO SENSOR (FACTORY ONLY)

UNLESS OTHERWISE SPECIFIED:
DIMENSIONS ARE IN MILLIMETERS
SURFACE FINISH:
TOLERANCES:
LINEAR: ±0.05
ANGULAR: ±0.05

FINISH: **HARD ANODISE TO DEF STAN 03-26**

DEBUR AND BREAK SHARP EDGES

NAME	SIGNATURE	DATE
DRAWN: NJM		02.07.20
CHK'D:		
APP'VD:		
MFG:		
Q.A:		



REVISION ISSUE	DESCRIPTION	DATE	APPROVED
01	FIRST RELEASE	24.10.23	NJM

TITLE: **PIT TANK FLOW SENSOR ASSEMBLY**

DWG NO. **HI-250-01**

SCALE: 1:1

© DESIGN COPYRIGHT RESERVED
Reventec Ltd
Unit 14, Devonian Business Centre
Salisbury
Wiltshire
SP5 3JH
TEL: +44(0)1753 530321
Email: info@reventec.com
Website: www.reventec.com

sentronic**s**

MATERIAL: **AL 6082 T6**

WEIGHT:

A3

SHEET 1 OF 1